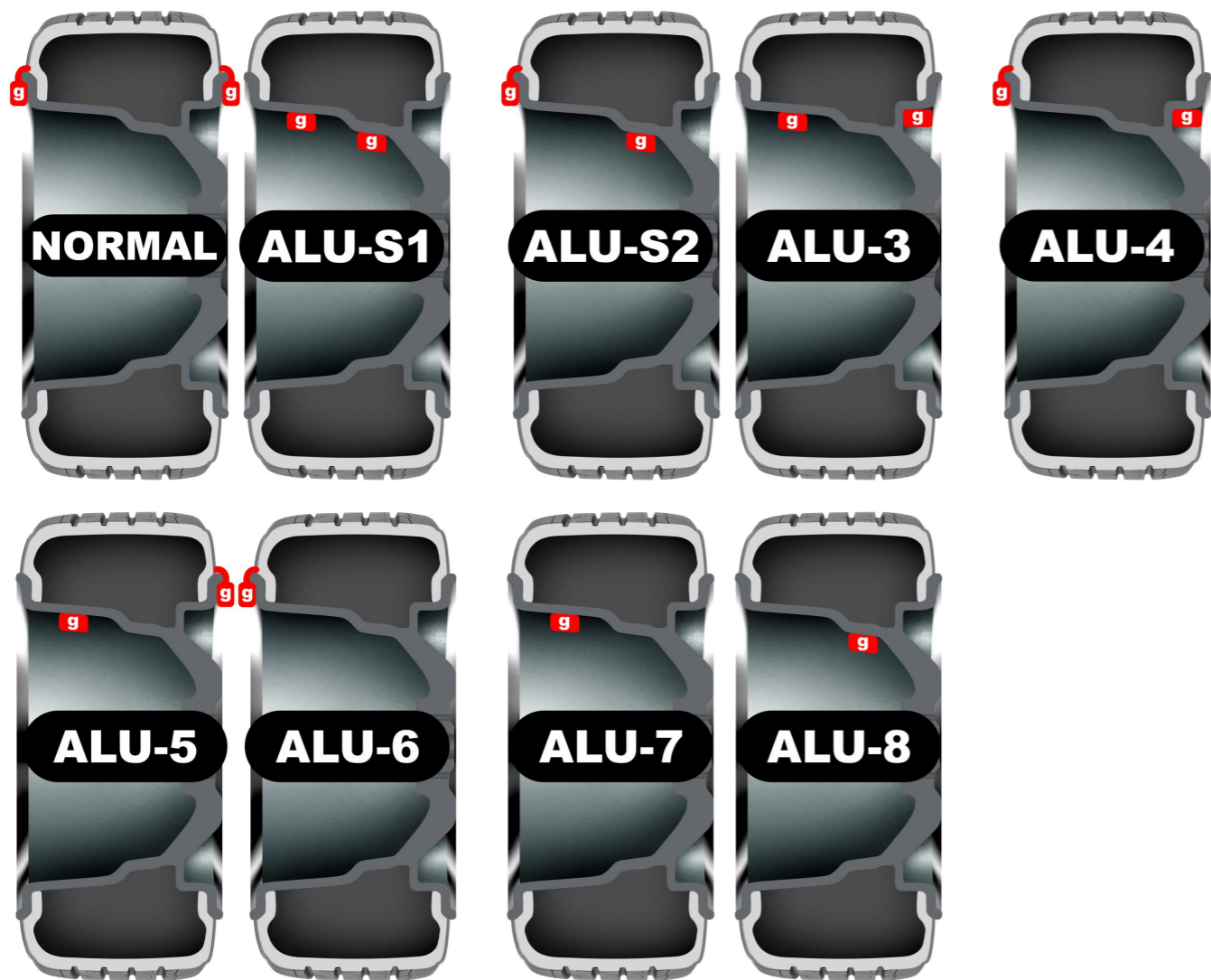


G-66

Wheel balancing machine with large LCD display

9 Balancing Modes

Automatically identify the wheel rim balancing mode



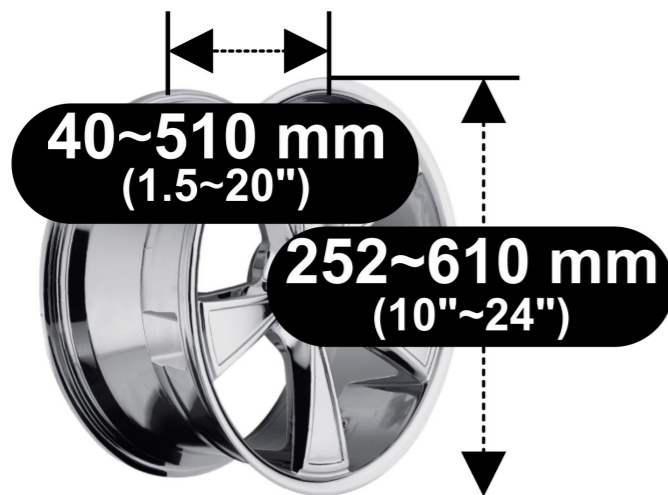
G-66



g

65kg
(143 lbs)

Max. wheel weight



Rim width
Rim diameter

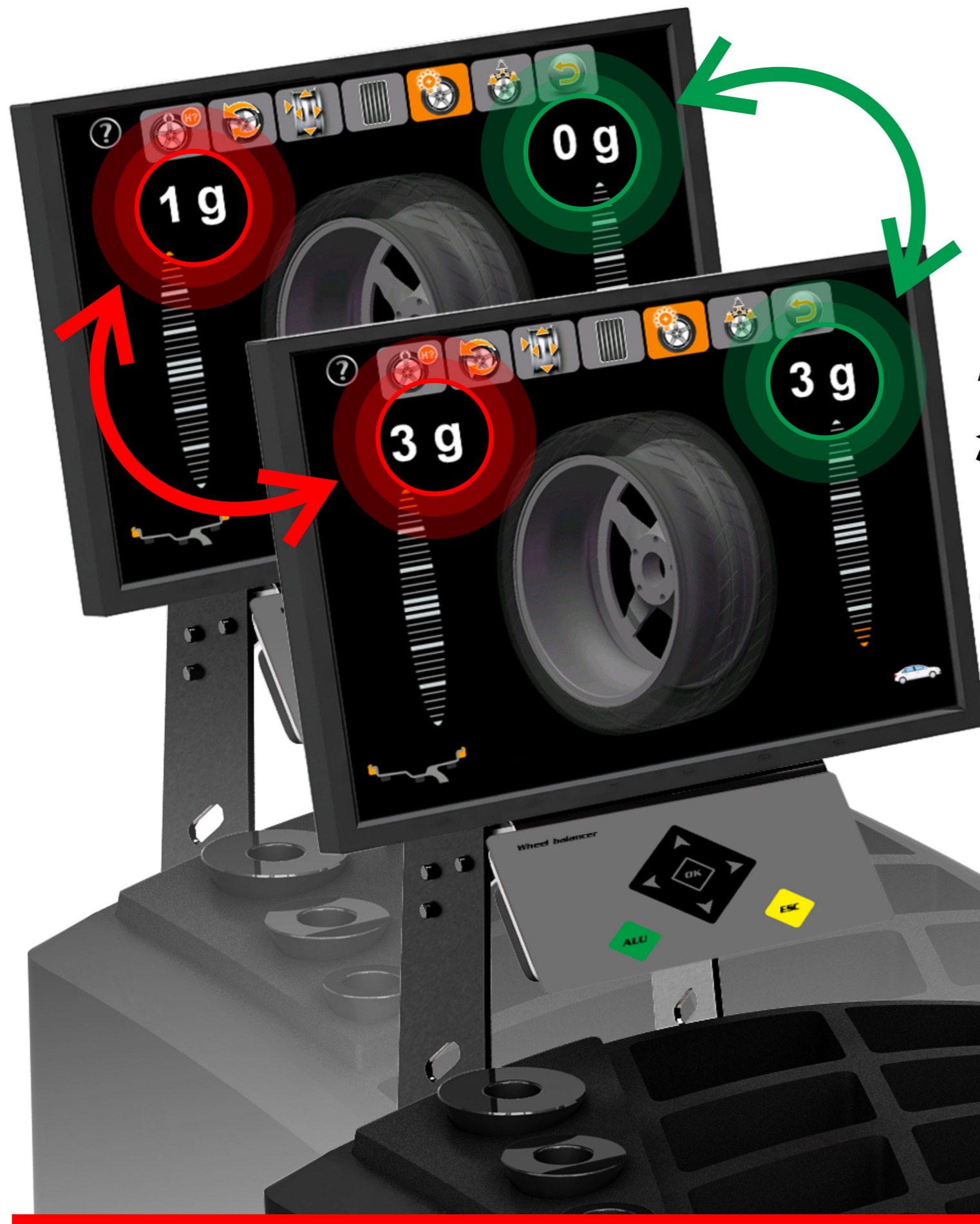
Specifications

Optional power supply	110v (1ph)/ 220v (1/3ph)/ 380v (3ph)
Optional motor power	0.20/0.37kw
Balancing speed	200 r.p.m
Balancing accuracy	$\pm 1g$ (± 0.04 oz)
Measuring time	8s
N/G weight	105/126 kg (231/278 lbs)
Package dimension	960*760*1250mm(3.1*2.5*4.1ft)



Real Accurate Balancing

**PATENTED
OWN COPYRIGHT**



**Accuracy(re-spin)
 $\leq \pm 5g$**

Improved version of wheel balancing software.
Optimized calculations of the unbalance forces.

Reduce Cycle Time



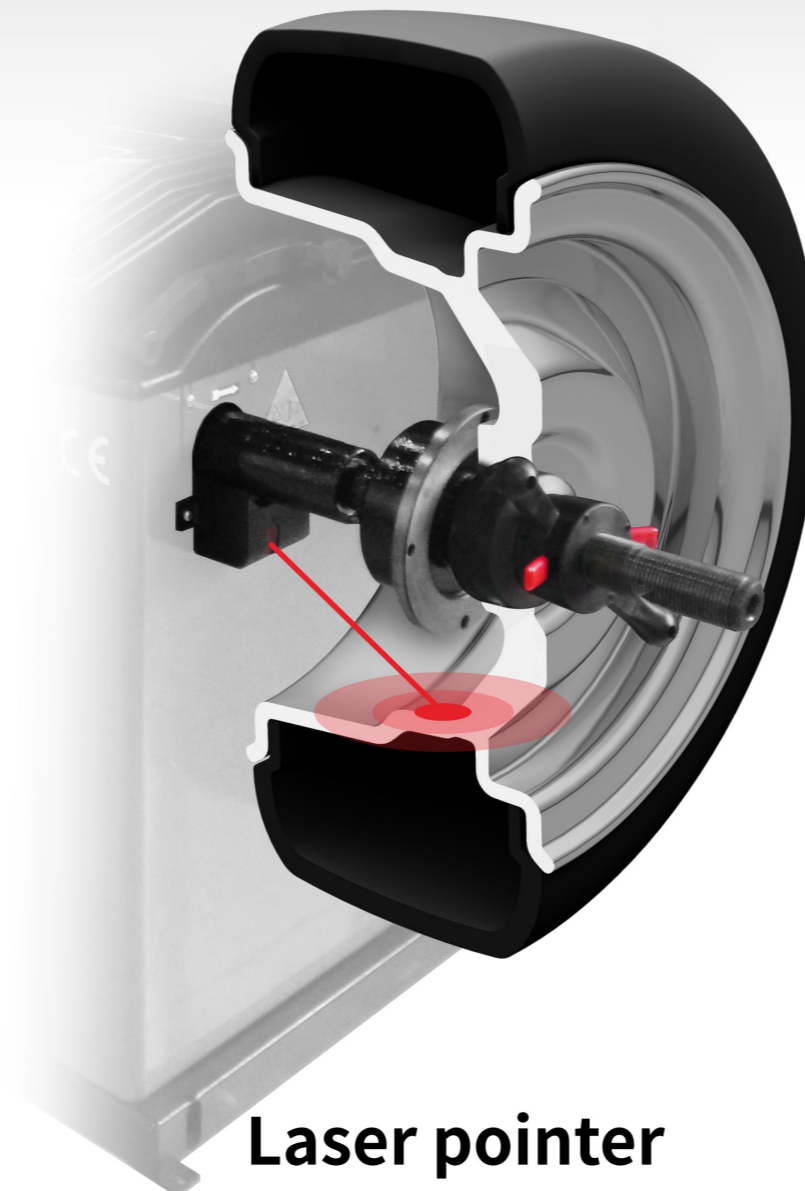
**Unbalance
> 50 grams**

One-time balancing solution for unbalance over 50 grams.

Key Features



Automatic distance & wheel diameter measuring
Tracking sticky balancing mode



Laser pointer



Automatic width measuring

Key Features



OPT function



Split & hidden weight solution



Automatic disc brake

Key Features

20 Languages and more



Arabic



Chinese



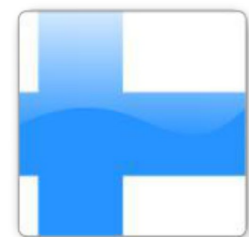
Danish



English



Farsi



Finnish



French



German



Italian



Kazakh



Korean



Latvian



Lithuanian



Norwegian



Polish



Portuguese



Russian



Swedish



Spanish

Thank you



SHANGHAI BALANCE AUTOMOTIVE EQUIPMENT CO.,LTD
TEL:0086-21-39509800 FAX:0086-21-39509960

E-MAIL:export-unite@balancer-sh.com

Web:www.balancer-sh.com www.uniteautomotive.com